

Oversized Solenoid Modulator Valve Kit

Part No.
147741-05K

- Valve
- End Plug



Tool Kit

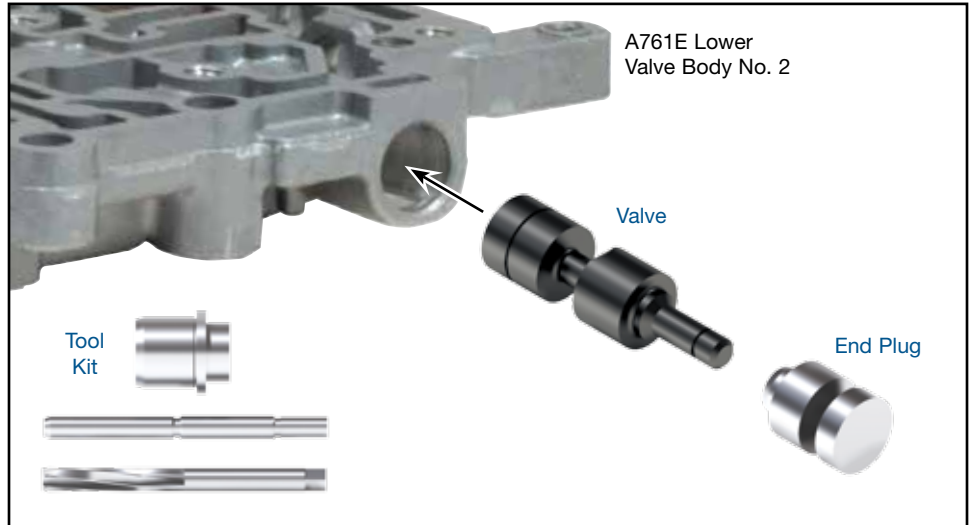
Part No.
F-147741-TL5

- Reamer
- Reamer Jig
- Guide Pin



NOTE: Sonnax “F-Tool” kits designed to service a specific bore require the VB-FIX, a self-aligning valve body reaming fixture. More information and instructions can be found online at www.sonnax.com.

Toyota A750E/F, A760E/F/H, A761E, A960E/F, AB60E/F



1. Disassembly

- Remove OE retainer and set aside for reuse.
- Remove OE end plug and discard.
- Remove OE spring and set aside for reuse.
- Remove and discard OE solenoid modulator valve.
- Remove shift solenoids and set aside for reuse (Figure 1).



WARNING: Damage may occur to valve body if shift solenoids are not removed before securing valve body to **VB-FIX**.

2. Bore Reaming

Ream solenoid modulator bore (for reaming instructions/reamer care, please visit Sonnax.com). Sonnax reaming tool kit **F-147741-TL5** and **VB-FIX** are required for this operation.

3. Installation & Assembly

- Ensure all debris has been removed from valve bore and body.
- Install Sonnax valve, spring guide facing out.
- Reinstall OE spring. Ensure spring fits over spring guide on valve.
- Install Sonnax end plug.
- Reinstall OE retainer.

4. Final Testing

Vacuum testing at the port indicated holds the recommended minimum 18 in-Hg (Figures 2 & 3).

