

Oversized Secondary Pulley Control Valve Kit

Part No.
113741-19K

- Valve
- End Plug

NOTE: Also fits Mitsubishi F1CJA.

Tool Kit

Part No.
F-113741-TL17

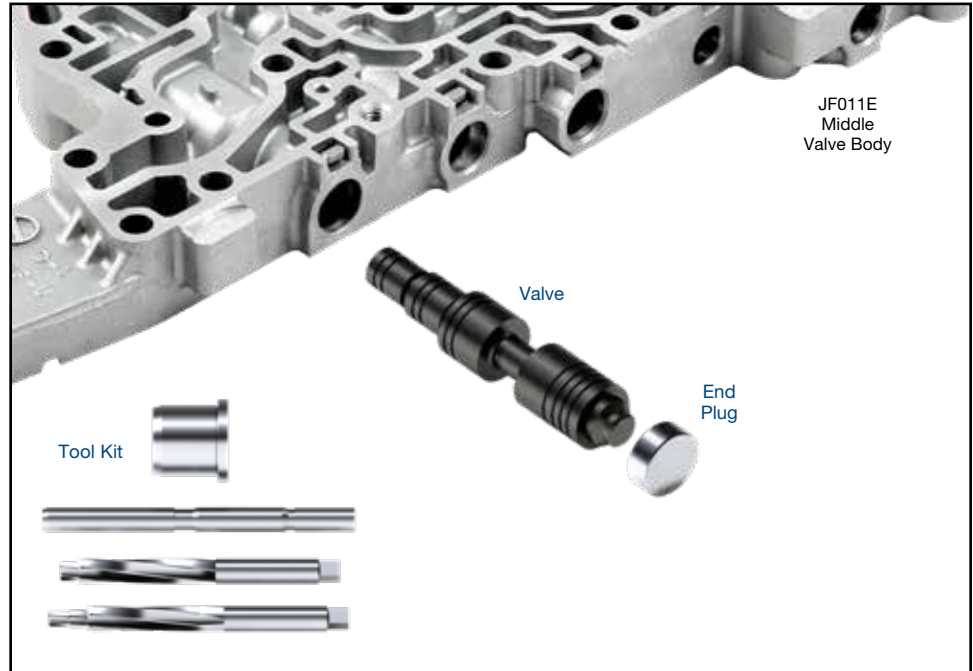
- Reamer
- Reamer Jig
- Guide Pin

NOTE: Sonnax “F-Tool” kits designed to service a specific bore require the VB-FIX, a self-aligning valve body reaming fixture. More information and instructions can be found online at www.sonnax.com.

Tool Kit for **113741-19K** can also be used for **113741-17K**.



Jatco/Nissan JF011E (RE0F10A)



1. Disassembly

- Remove OE retainer and save for reuse.
- Remove and discard OE end plug.
- Remove OE spring and save for reuse.
- Remove and discard OE valve.

2. Bore Reaming

Ream secondary pulley control bore (for reaming instructions/reamer care, please visit www.sonnax.com). Sonnax reaming tool kit **F-113741-TL17** and **VB-FIX** are required for this operation.



NOTE: Tool kit **F-113741-TL17** contains two reamers. For JF011E valve bodies, use reamer **F-113741-RM19** ONLY.

3. Installation & Assembly

- Remove all debris from valve bores and body.
- Install Sonnax secondary pulley control valve.
- Reinstall OE spring.
- Install Sonnax end plug.
- Reinstall OE retainer.

4. Final Testing

Vacuum testing at the port indicated holds the recommended minimum 16 in-Hg.

