

Oversized TCC Apply Valve Kit

Part No.
119940-04K



- Spring
- Valve
- Boost Valve Assembly

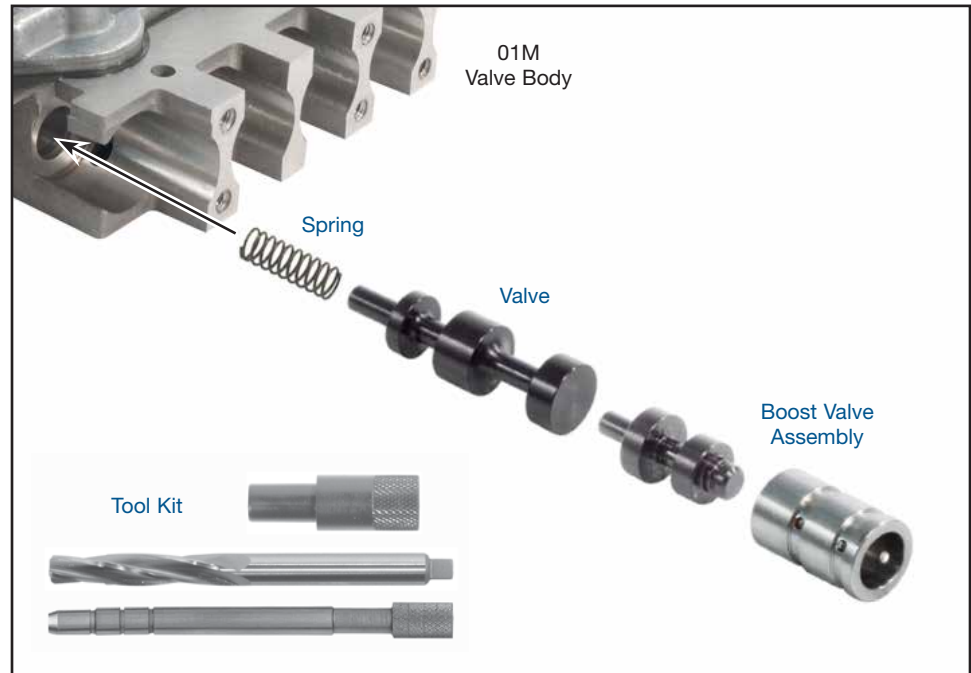
Tool Kit

Part No.
119940-TL4

- Reamer
- Reamer Jig
- Bore Sizing Tool

NOTE: Early versions of this tool kit did not contain bore sizing tool. Customers who already have the reamer and reamer jig are encouraged to order 119940-BST bore sizing tool and complete the bore sizing steps outlined in these instructions on all future kit installations.

VW/Audi 01M, 01N, 01P



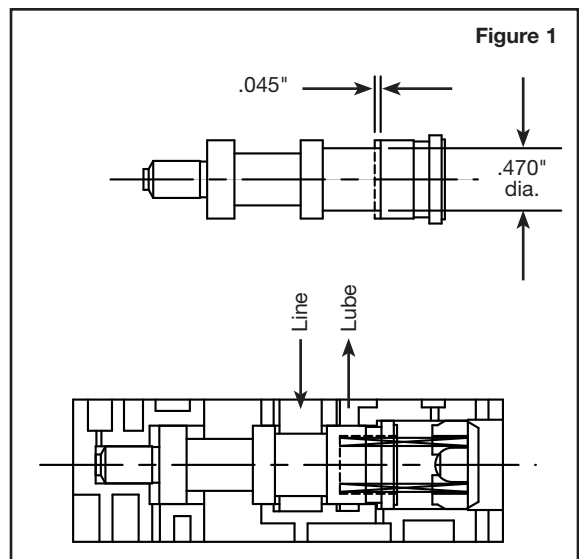
1. Optional procedure for improving converter charge & reducing engine stall/stumble:

Engine stall on engagement can also be caused by low pump output and an OE main pressure regulator that shuts off converter feed. Line at the main pressure regulator valve is regulated to exhaust long before the converter feed opens up. When pump volume is low and unable to keep the main pressure regulator shifted over to feed the converter, an engine stall can occur. This condition is worse when the fluid is hot and is more common in heavier vehicles.

To eliminate this problem, turn a relief on the main regulator valve spool that feeds line to lube. Refer to the illustration for exact dimensions and location. This will allow the converter feed to open at low pump output (**Figure 1**).

2. Disassembly

- Remove and retain the TCC solenoid.
- Remove and discard the OE TCC boost valve and sleeve, TCC apply valve and spring.



3. Bore Reaming

Ream TCC apply valve bore (for reaming instructions/reamer care, please visit www.sonnax.com).
Sonnax reaming tool kit **F-119940-TL4** and **VB-FIX** are required for this operation.

4. Installation & Assembly

- Be certain all debris has been removed from valve bore and valve body.
- Place Sonnax spring over stem of Sonnax valve and install into bore, spring end first (**main photo**).
Ensure that the valve moves freely. If Sonnax valve and/or sleeve do not move freely, install bore sizing tool and tap tool back and forth using a hammer and screwdriver inserted through the ports and into tool grooves. Repeat process until valve strokes freely.
- Install Sonnax boost valve assembly into bore (**main photo**).
- Reinstall OE TCC solenoid.



NOTE: The Sonnax TCC boost valve and sleeve assembly **MUST** be used with the oversized TCC apply valve to maintain proper ratios and valve functions. For identification purposes, the replacement TCC boost valve has a groove on the outboard-facing end stem. Reusing the OE assembly can result in TCC slippage, burn-up and complaints.

4. Final Testing

Vacuum testing at the port(s) indicated holds the recommended minimum 16 and 18 in-Hg.

